

**13,600 kg at  
3.05 m Radius**

- Rated Capacity Limiter ... Standard
- Capacity on Outriggers ... 13,600 kg
- Pick and Carry Capacity ... up to 11,900 kg
- Height ... 3.40 m
- Width ... 2.49 m
- Boom Rotation ... 360 Degree Continuous
- Sheave Height ... up to 26.80 m
- Horizontal Reach ... up to 24.38 m
- 4-Wheel Steer ... Standard
- 4-Wheel Drive ... Standard
- Powershift Transmission ... Standard
- Fully Hydraulic Controls for Smooth Precise Operations
- Independent Outrigger Controls
- Diesel Engine ... Standard

**BRODERSON**  
*Manufacturing Corp.*



# RT-300-2E

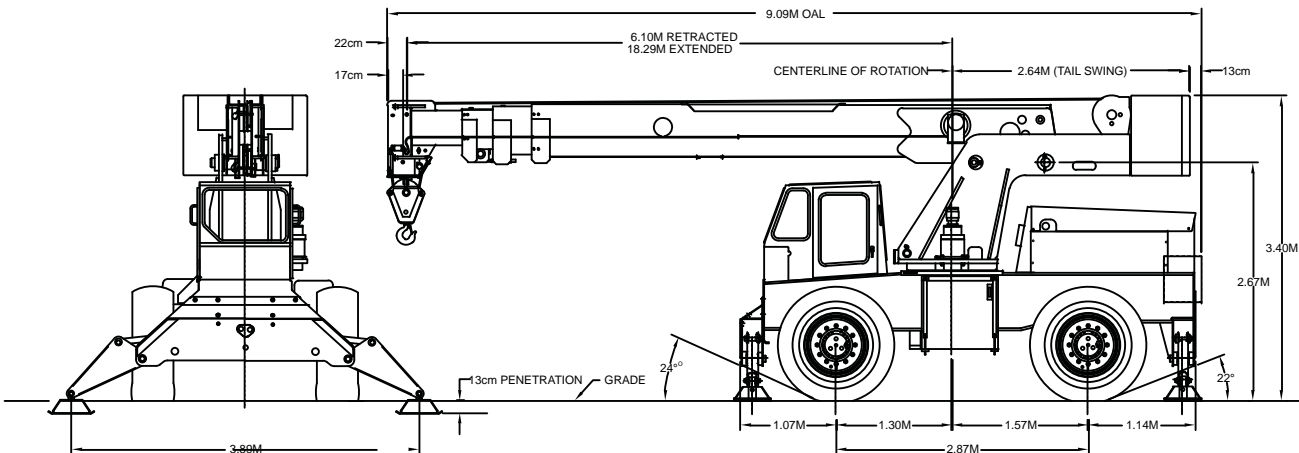
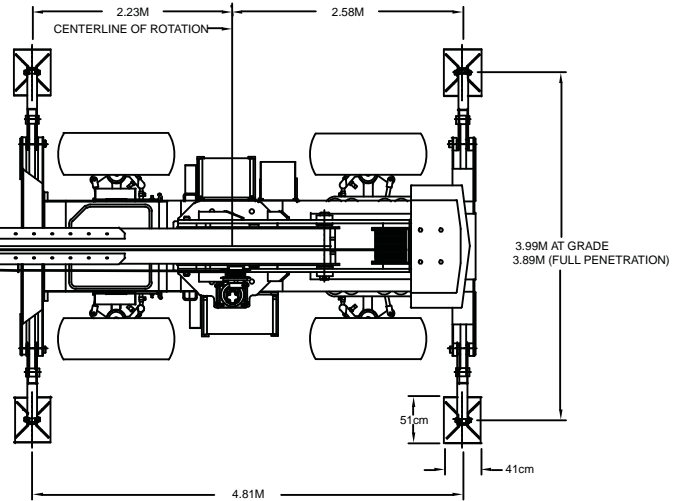
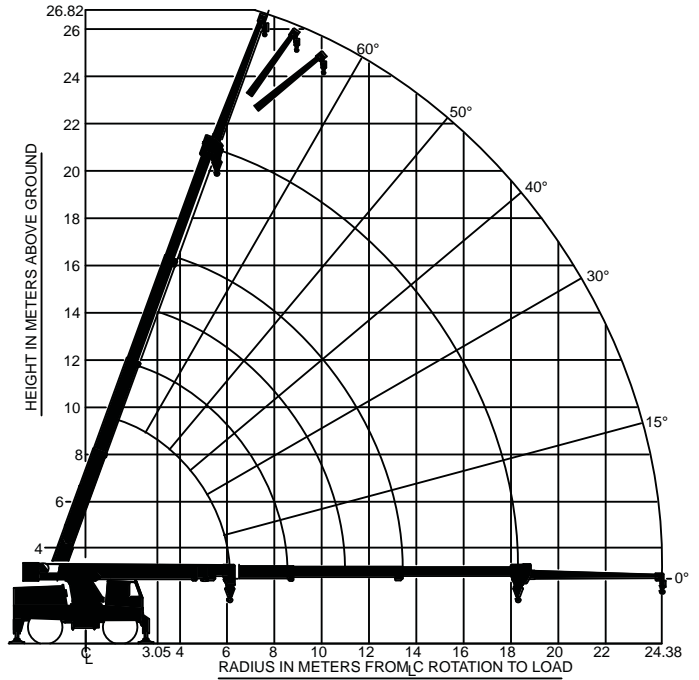
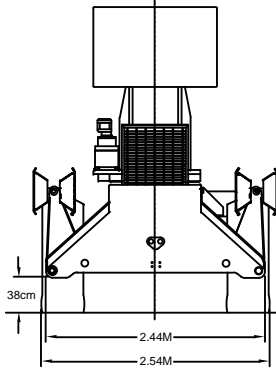
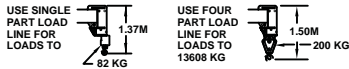
CAPACITIES APPLY TO OPERATION ON FIRM LEVEL SURFACE				
LOAD RADIUS METERS	MAIN BOOM CAPACITIES IN KILOGRAMS			
	360° ROTATION		OVER FRONT	
	ON RUBBER	ON OUTRIGGERS	ON RUBBER	ON OUTRIGGERS
3.05	8300	13600	11900	13600
3.5	6550	13150	10700	13150
4	5300	12300	8950	12300
4.5	4325	11175	7300	11175
5	3600	9925	6075	9925
5.5	3025	8825	5150	8825
6	2575	7850	4400	7875
7	1850	5930	3350	6410
8	1375	4680	2525	5325
9	960	3710	1975	4460
10	690	3020	1540	3775
11	540	2575	1310	3390
12	375	2230	1120	3010
13	300	1960	930	2670
13.4	275	1860	860	2540
14	---	1720	800	2390
15	---	1530	680	2125
16	---	1380	575	1875
17	---	1230	460	1690
18	---	1090	380	1500
18.3	---	1040	360	1450
19	---	940	---	1190
20	---	845	---	1040
22	---	675	---	1010
24	---	500	---	770
24.4	---	450	---	725

DO NOT POSITION BOOM AT LOAD RADII WHERE NO LOAD CAPACITIES ARE SHOWN.

BOOM EXTENSION OFFSET ANGLE	6.1M BOOM EXTENSION CAPACITIES						
	MAIN BOOM ANGLE						
	0°	15°	30°	40°	50°	60°	70°
0°	1040	1090	1225	1400	1675	2175	2810
15°	---	1040	1090	1180	1310	1540	1860
30°	---	---	1040	1090	1130	1225	1400

CAUTION: BOOM EXTENSION LOADS MUST NOT EXCEED MAIN BOOM CAPACITY.

BOOM EXTENSION DEDUCT: 225 KG WHEN STOWED ON BASE BOOM



# RT-300-2E

## Specifications

### GENERAL:

<b>Weight:</b>	
<b>Total</b>	20,000 kg
Front Axle	10,250 kg
Rear Axle	9,750 kg
<b>Angle of Approach</b>	24 Degrees
<b>Angle of Departure</b>	22 Degrees
<b>Gradeability</b>	70 Percent Grade
<b>Turning Radius: 4-Wheel Steer:</b> (Min.)	
Outside Tire C/L Radius	4.75 m
Vehicle Clearance Circle (Dia.)	10.72 m
<b>Drawbar Pull</b>	13,600 kg
<b>Road Speed</b>	37 km/h (Max.)

### ENGINE:

<b>Make</b>	Cummins
<b>Model</b>	QSB 4.5 Turbo, U.S. EPA Tier 3 Certified
<b>Type</b>	Turbo Diesel, Charge Air Cooled
<b>C.I.D.</b>	4.5 L
<b>Max. Torque</b>	620 nm @ 1,500 RPM
<b>Rated kw</b>	119 kw @ 2,500 RPM
<b>Fuel Tank</b>	190 Liter Capacity

### TRANSMISSION

6-Speed Powershift with Torque Converter, Oil Cooler and Oil Filter

### AXLES:

<b>Front and Rear Axles:</b>	
Gear Ratio	16.42:1

### BRAKES:

**Service** - 4-Wheel drum type with hydraulic booster  
**Parking** - Spring-applied and hydraulically-released mounted on transmission

### STEERING:

Hydraulic steering unit with two 8.90 cm cylinders attached to each axle. Allows limited steering when engine is not running. A switch on the control panel is used to select front-wheel steering, 4-wheel steering or crab steering. Electronic sensors and control box automatically align the steering when a new mode is selected.

### TIRES:

**Standard** - 17.5 x 25, 20-Ply Rating Mud Lug.

### CHASSIS:

**Outriggers:**  
Four independently controlled swingdown design outriggers. The hydraulic cylinders are equipped with direct-connected holding valves.

### OPERATOR COMPARTMENT:

Operator control station provides one-position access to all chassis and crane controls.

### ELECTRICAL SYSTEM:

#### 12-Volt DC System

#### Instrument Group:

Fuel, transmission oil temperature, voltmeter, engine oil pressure, water & hydraulic oil temperature gauges, and hourmeter.

#### Back-Up Alarm:

Provides pulsating sound from 97 dB alarm when ignition is on and transmission is in reverse.

#### Outrigger Alarm System:

Two-tone alarm is activated when "outrigger down" controls are operated.

### HYDRAULIC SYSTEM:

Triple vane pump, mounted and driven by main transmission. Rated 34, 98 and 167 l/m at 270 bar at 2,500 RPM engine speed. Hydraulic oil tank capacity of 265 liters.

### BOOM ASSEMBLY:

	Boom Movement	Boom Speeds
<b>Rotation</b>	Continuous	3.3 RPM
<b>Elevation</b>	0 - 70 Degrees	19 Seconds
<b>Extension</b>	12.19 m	24 Seconds

#### Boom Assembly:

Boom assembly equipped with bearing pads. Double-acting hydraulic cylinders, equipped with a holding valve, extend and retract the second and third boom sections. Double runs of high strength leaf chain extend and retract the fourth section. Boom angle indicator included on left side of boom. Twin, double-acting hydraulic cylinders control the boom elevation and are equipped with direct-connected holding valves.

#### Boom Rotation:

A heavy-duty ball bearing rotation gear with external teeth. Rotation is powered by the hydraulic motor and compound planetary gear drive. Spring-applied, hydraulically released brake and an overrunning load valve are provided. Hydraulic centerpost and electric slip rings allow continuous rotation.

#### Boom Hoist:

##### Turret Mounted

##### Hydraulic Powered

<b>Bare Drum Line Pull</b>	4,535 kg
<b>Wire Rope</b>	85 m of 2.48 cm dia.

##### Line Speed:

Bare Drum	85 meters per minute
Full Drum	112 meters per minute

#### 4-Part-Line Sheave Block:

Double sheave block for four-part-line requirements.

#### Anti-Two-Block Device:

Prevents damage to hoist rope and/or machine components from accidentally pulling load hook against boom tip.

#### Rated Capacity Limiter:

Warns operator of impending overload with audible and visual signals. Prevents overloads by stopping boom functions that cause overloads. Displays boom length, angle, load radius, load and capacity.

# **RT-300-2E**

## **Options**

Listed below are brief descriptions of options available for this product.  
Consult the RT-300-2E Engineering Spec for additional information.

### **ENGINE OPTIONS:**

#### **Engine Heater**

Engine coolant heater installed to circulate warm water through engine, plugs into 120-volt AC.

#### **Engine Side Covers**

Quick detach, to fit fixed hood and grille.

### **TIRE OPTIONS:**

Spare Wheel & Tire:  
17.5 x 25, 20-Ply Tire

### **CHASSIS OPTIONS:**

#### **Lifting Eyes**

Lifting eyes on corners of the chassis and the turntable so slings can be attached for lifting crane.

#### **Towing Eyes**

Consists of four eyes, two on the front and two on rear for towing.

#### **Pintle Hook, Front**

Pintle hook mounted on the front outrigger housing, 21,800 kg capacity.

#### **Pintle Hook, Rear**

Pintle hook mounted on the rear outrigger housing, 21,800 kg capacity.

### **OPERATOR COMPARTMENT OPTIONS:**

#### **All Weather Cab**

Consists of rigid-mounted canopy section and two removable hinged doors. Includes heater with 2-speed fan, 12-volt electric windshield wiper. Defroster fan included.

#### **Window Wiper - Top Window**

12-volt electric wiper on top window operated with its own switch.

#### **Operator Guard**

Tubular steel weldment with heavy expanded steel mesh top & grille front section.

#### **Operator Suspension Seat Seats Inc. - Cloth**

Full-suspension with adjustments for height, tilt, fore/aft, operator weight with armrest angle adjustment.

#### **Operator Suspension Seat Seats Inc. - Vinyl**

Full-suspension with adjustments for height, tilt, fore/aft, operator weight with armrest angle adjustment.

#### **Floor Mat**

Vinyl mat with foam backing

#### **Air Conditioning**

Air Conditioning with R134 coolant.

### **ELECTRICAL OPTIONS:**

#### **Strobe Light**

Yellow strobe light mounted on top of engine hood for high visibility.

#### **Lighting Kit**

Includes two modular, dual-beam headlights with turn signal lights. Taillights with brake and turn signal lights. Back-up lights and lights installed in back of the instrument gauges.

#### **Boom Work Lights**

One halogen work light mounted to boom to light boom tip and one work light mounted to turret to light ground under boom tip.

### **BOOM ATTACHMENT OPTIONS:**

#### **6.10 m Offsettable Boom Extension**

Boom stowable. Offsets include 0 (in-line), 15 or 30 degree. Downhaul weight & hook option required.

#### **Downhaul Weight & Hook**

Downhaul weight and 4.5-tonne swivel hook to use with the existing wedge socket for 1-part line.

Should you require an option or special equipment not listed please consult your dealer salesperson or BMC®.

**BRODERSON**  
Manufacturing Corp.  
14741 West 106th Street  
Lenexa, KS 66215 USA

Tel (913) 888-0606  
Fax (913) 888-8431  
www.bmccranes.com

Dimensions and values shown are  
for reference purposes only.  
Specifications subject to change.

